

## 2-WHEEL MOBILE GARBAGE BINS (MGB) - 360 LITRE BIN

### 360-Litre Bin (Flat lid)

**Item No.:** SFGB-360

**Capacity:** 360 litres

**Weight:** about 15.3 kgs

**Maximum allowable weight:** 160 kgs

**Material:** Injection moulded, high-density polyethylene (HDPE) UV stabilized

**Wheels:** Two wheels, and corrosion resistant steel shaft.

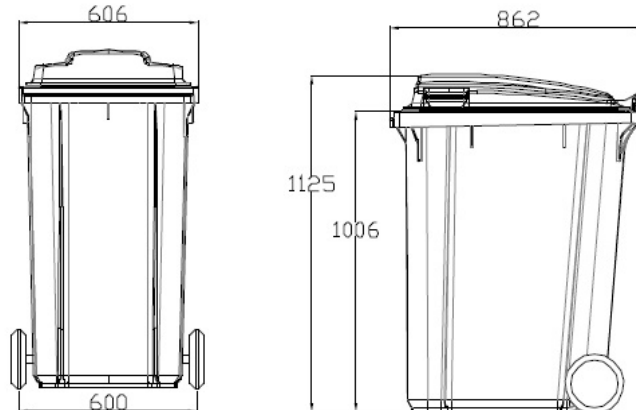
**Lid-body attachment:** Two plastic pivots

**Origin:** all manufactured in Taiwan

**Colour:** ● ● ● ● ● ●



### Dimensions:



### Load Quantity:

20' DC	40' DC	40'HQ
150 pcs	310 pcs	350 pcs

Item No.	Volume	Size	Weight	Length	Width	Height
SFGB-1100	1100 litre	L	52 kgs	1,415 mm	1,050 mm	1,410 mm
SFGB-660	660 litre	M	43.2 kgs	1,425 mm	765 mm	1,320 mm
SFGB-360	360 litre	SL	15.3 kgs	860 mm	605 mm	1,125 mm
SFGB-240	240 litre	S	13.5 kgs	690 mm	575 mm	1,110 mm
SFGB-120	120 litre	SS	8.45 kgs	525 mm	475 mm	980 mm

Remark: The weight include the main bin body, flat lid, all accessories and wheels



Show Fuu Plastics Co., Ltd

No. Zhenxing Rd., Taya Dist., Taichung City 42877, Taiwan

Tel.: +886-4-25683686 Fax: +886-4-25682616 E-mail: showfuu@seed.net.tw

Website: www.showfuu.com | www.showfuu.com.tw | Skype: showfuu

MGB SERIES - QUALITY WASTE BIN PRODUCTS BY SHOW FUU PLASTICS., CO., LTD