

4-WHEEL MOBILE GARBAGE BINS (MGB)

MGB SERIES - QUALITY WASTE BIN PRODUCTS BY SHOW FUU PLASTICS., CO., LTD

1,100-Litre Bin (Flat lid)

Item No.: SFGB-1100

Capacity: 1,100 litres

Weight: about 52 kgs

Maximum allowable weight: 440 kgs

Material: Injection moulded, high-density polyethylene (HDPE) UV stabilized

Wheels: 4 swivel caster; 2 casters with brakes

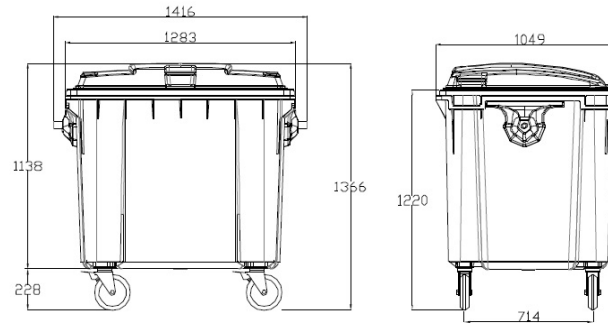
Lid-body attachment: Four plastic pivots

Certification: EN 840-2,5,6

Origin: all manufactured in Taiwan

Colour: 

Dimensions:



Load Quantity:

20' DC	40' DC	40'HQ
40 pcs	90 pcs	100 pcs



660-Litre Bin (Flat lid)

Item No.: SFGB-660

Capacity: 660 litres

Weight: about 43.2 kgs

Maximum allowable weight: 310 kgs

Material: Injection moulded, high-density polyethylene (HDPE) UV stabilized

Wheels: 4 swivel caster; 2 casters with brakes

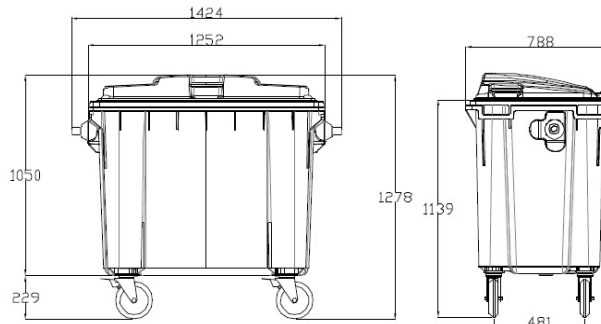
Lid-body attachment: Four plastic pivots

Certification: pending verification of EN 840-2, 5 and 6

Origin: all manufactured in Taiwan

Colour: 

Dimensions:



Load Quantity:

20' DC	40' DC	40'HQ
55 pcs	120 pcs	135 pcs



www.showfuu.com

2-WHEEL MOBILE GARBAGE BINS (MGB)

MGB SERIES - QUALITY WASTE BIN PRODUCTS BY SHOW FUU PLASTICS., CO., LTD

360-Litre Bin (Flat lid)

Item No.: SFGB-360

Capacity: 360 litres

Weight: about 15.3 kgs

Maximum allowable weight: 160 kgs

Material: Injection moulded, high-density polyethylene (HDPE) UV stabilized

Wheels: Two wheels, and corrosion resistant steel shaft

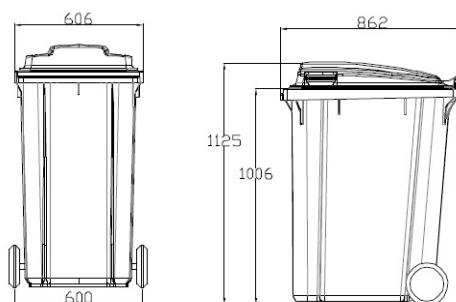
Lid-body attachment: Two plastic pivots

Certifications: pending verification of EN 840-1, 5 and 6

Origin: all manufactured in Taiwan

Colour: 

Dimensions:



Load Quantity:

20' DC	40' DC	40'HQ
150 pcs	310 pcs	350 pcs



240-Litre Bin (Flat lid)

Item No.: SFGB-240

Capacity: 240 litres

Weight: about 13.5 kgs

Maximum allowable weight: 110 kgs

Material: Injection moulded, high-density polyethylene (HDPE) UV stabilized

Wheels: Two wheels, and corrosion resistant steel shaft

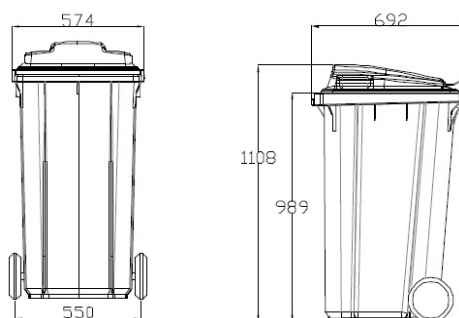
Lid-body attachment: Two plastic pivots

Certifications: pending verification of EN 840-1, 5 and 6

Origin: all manufactured in Taiwan

Colour: 

Dimensions:



Load Quantity:

20' DC	40' DC	40'HQ
270 pcs	540 pcs	600 pcs



www.showfuu.com

2-WHEEL MOBILE GARBAGE BINS (MGB)

MGB SERIES - QUALITY WASTE BIN PRODUCTS BY SHOW FUU PLASTICS., CO., LTD

120-Litre Bin (Flat lid)

Item No.: SFGB-120

Capacity: 120 litres

Weight: about 8.45 kgs

Maximum allowable weight: 60 kgs

Material: Injection moulded, high-density polyethylene (HDPE) UV stabilized

Wheels: Two wheels, and corrosion resistant steel shaft

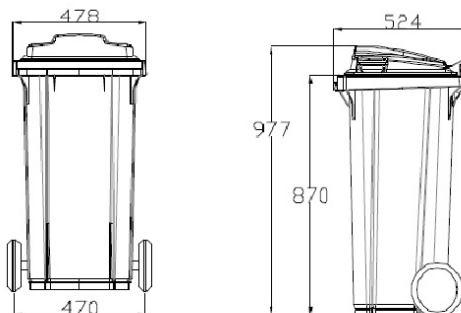
Lid-body attachment: Two plastic pivots

Certifications: pending verification of EN 840-1, 5 and 6

Origin: all manufactured in Taiwan

Colour: 

Dimensions:



Load Quantity:

20' DC	40' DC	40'HQ
550 pcs	1000 pcs	1100 pcs



MGB Mobile Garbage Bin Products List:

Item No.	Volume	Size	Weight	Length	Width	Height
SFGB-1100	1100 litre	L	52 kgs	1,415 mm	1,050 mm	1,410 mm
SFGB-660	660 litre	M	43.2 kgs	1,425 mm	765 mm	1,320 mm
SFGB-360	360 litre	SL	15.3 kgs	860 mm	605 mm	1,125 mm
SFGB-240	240 litre	S	13.5 kgs	690 mm	575 mm	1,110 mm
SFGB-120	120 litre	SS	8.45 kgs	525 mm	475 mm	980 mm

Remark: The weight include the main bin body, flat lid, all accessories and wheels.

Contact us at:

showfuu@seed.net.tw

Tel.: 00886-4-25683686

Fax: 00886-4-25682616

Ms. Chiu, Lai - (Es /En /De/Ch)

Ms. Issa, Lai - (En/Jp/Ch)

Mr. Frank, Nien - (En/Ch)



Show FUU Plastics Co., Ltd

No. Zhenxing Rd., Taya Dist., Taichung City 42877, Taiwan

Tel.: +886-4-25683686 Fax: +886-4-25682616 E-mail: showfuu@seed.net.tw

Website: www.showfuu.com | www.showfuu.com.tw | Skype: showfuu



www.showfuu.com